

PINOUT

DESCRIPTION:

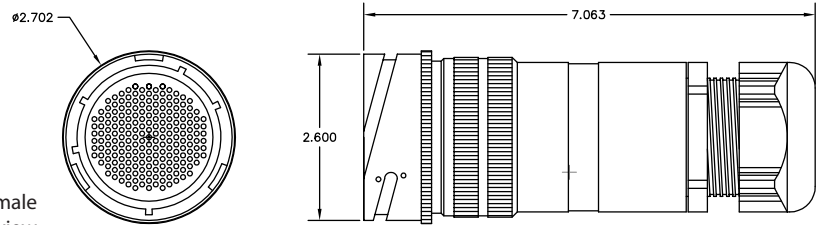
Pinout for Pro Co ConcertMaster 201-pin Cable/Panel-mount male multipin connectors (TLDC201LM01, TLDC201PM02) Rear pinout view shown. NOTE: This is also the front view for female connectors.

ABBREVIATIONS:

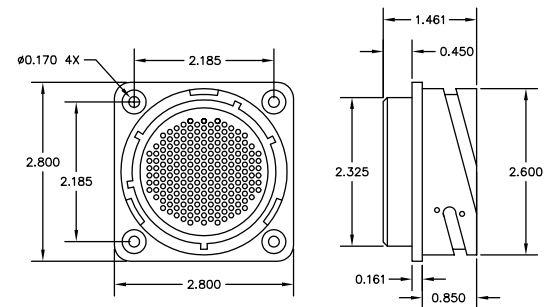
- S = Shield
- + = Hot (+)
- = Cold (-)

STANDARD PREP LENGTHS:

Channel #	Length
1 - 8	2-5/8"
9 - 16	1-7/8"
17 - 24	3"
25 - 32	1-1/2"



TL-201-LM01: 201 PIN MALE CABLE MOUNT CONNECTOR



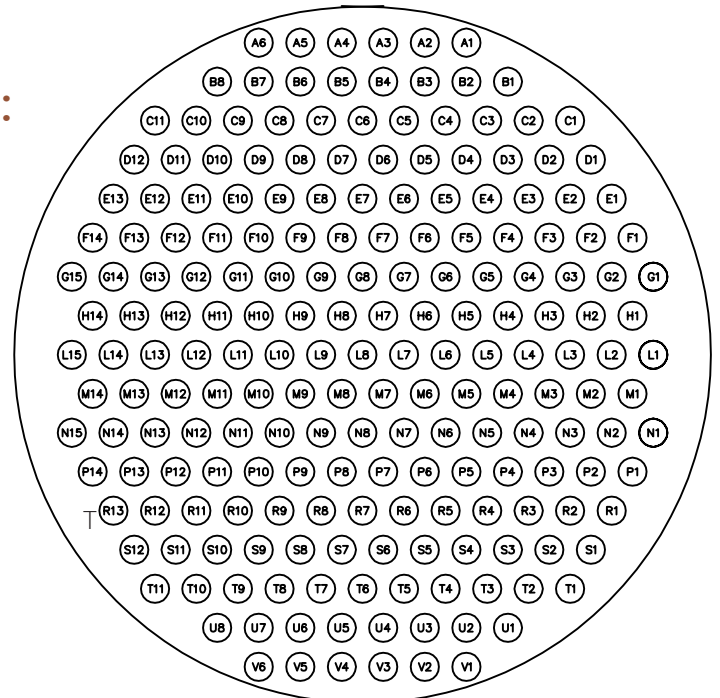
TL-201-LM02: 201 PIN MALE PANEL MOUNT CONNECTOR

201-PIN TOURLINE MULTIPIN CONNECTOR PART NUMBERS:

PART NUMBER	DESCRIPTION
TLDC201LF06	Female, Cable mount, w/Locking ring, Dust cap
TLDC201PF26	Female, Panel mount, w/Locking ring, Dust cap
TLDC201LM01	Male, Cable mount, Dust cap
TLDC201PM02	Male, Panel mount, Dust cap

All Tourline multipin connectors are delivered pre-populated with solder-type contacts. Replacement contacts and tools are available from Pro Co. Please contact 800-253-7360 for assistance.

REAR VIEW



TL-201-LM02: 201 PIN MALE CONNECTOR

PINOUT CHART ON REVERSE SIDE

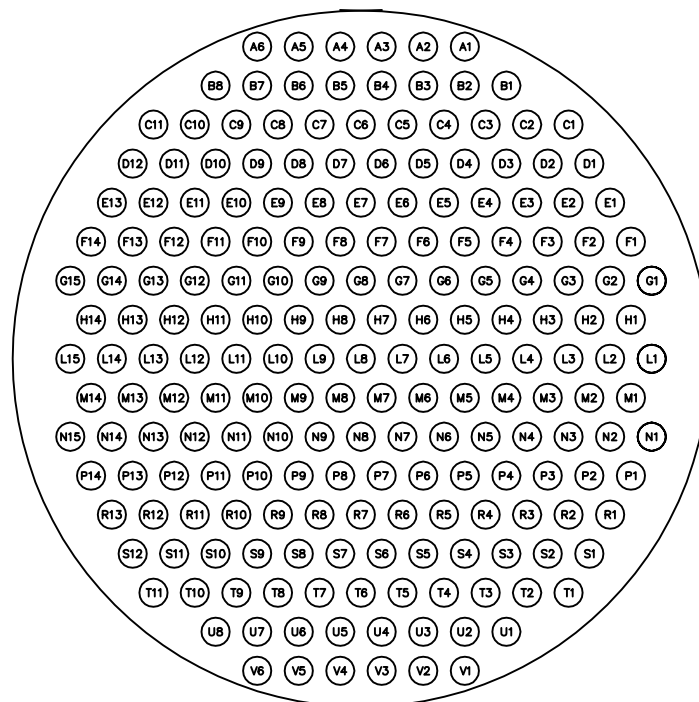
Tourline TL-201 MC/MP

PINOUT CHART:

CHANNEL PINOUT			
CH	+	-	S
1	A1	A2	A3
2	A4	A5	A6
3	B1	B2	B3
4	B4	B5	B6
5	B7	B8	C10
6	C1	C2	C3
7	C4	C5	C6
8	C7	C8	C9
9	D1	D2	D3
10	D4	D5	D6
11	D7	D8	D9
12	D10	D11	C11
13	E1	E2	E3
14	E4	E5	E6
15	E7	E8	E9
16	E10	E11	E12
17	F1	F2	F3
18	F4	F5	F6
19	F7	F8	F9
20	F10	F11	F12
21	F13	E13	D12
22	G1	G2	G3
23	G4	G5	G6

CHANNEL PINOUT			
CH	+	-	S
24	G7	G8	G9
25	G10	G11	G12
26	G13	G14	F14
27	H1	H2	H3
28	H4	H5	H6
29	H7	H8	H9
30	H10	H11	H12
31	H13	H14	G15
32	L1	L2	L3
33	L4	L5	L6
34	L7	L8	L9
35	L10	L11	L12
36	L13	L14	L15
37	M1	M2	M3
38	M4	M5	M6
39	M7	M8	M9
40	M10	M11	M12
41	M13	M14	N15
42	N1	N2	N3
43	N4	N5	N6
44	N7	N8	N9
45	N10	N11	N12
46	N13	N14	P14

CHANNEL PINOUT			
CH	+	-	S
47	P1	P2	P3
48	P4	P5	P6
49	P7	P8	P9
50	P10	P11	P12
51	P13	R13	S12
52	R1	R2	R3
53	R4	R5	R6
54	R7	R8	R9
55	R10	R11	R12
56	S1	S2	S3
57	S4	S5	S6
58	S7	S8	S9
59	S10	S11	T11
60	T1	T2	T3
61	T4	T5	T6
62	T7	T8	T9
63	U1	U2	U3
64	U4	U5	U6
65	U7	U8	T10
66	V1	V2	V3
67	V4	V5	V6



REAR VIEW

TL-201-LM02: 201 PIN MALE CONNECTOR